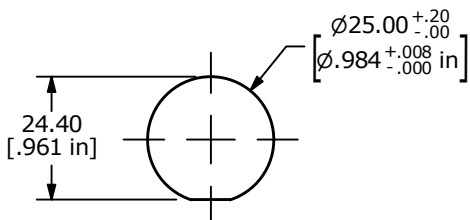
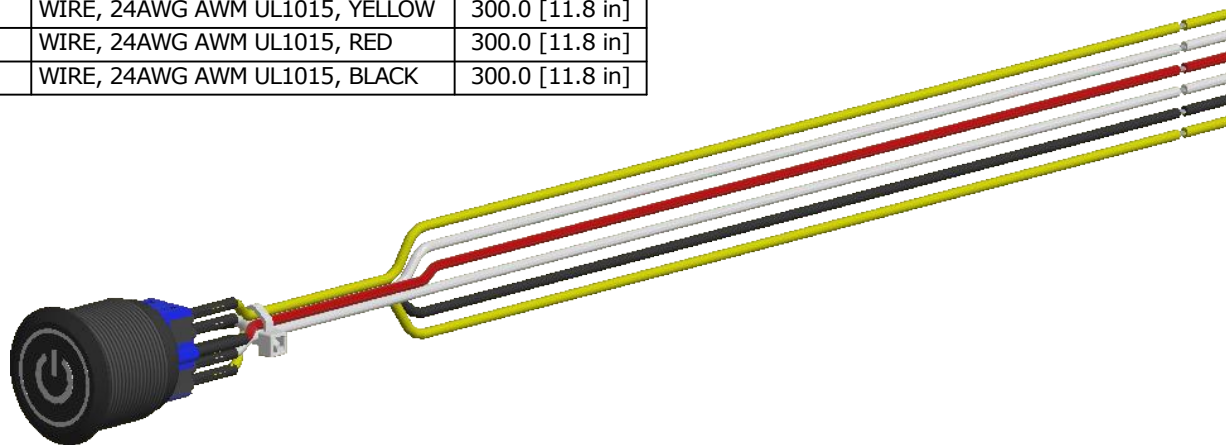
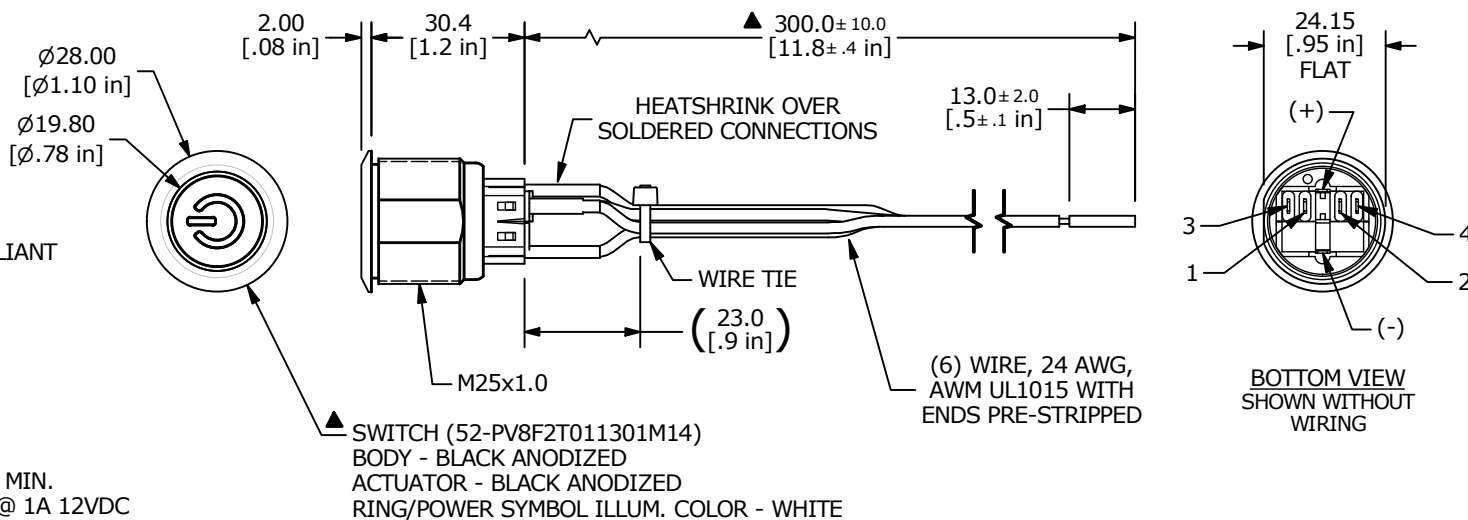


| SWITCH | WIRE | LENGTH |
|----------|--------------------------------|-----------------|
| SW1-1 | WIRE, 24AWG AWM UL1015, WHITE | 300.0 [11.8 in] |
| SW1-2 | WIRE, 24AWG AWM UL1015, WHITE | 300.0 [11.8 in] |
| SW1-3 | WIRE, 24AWG AWM UL1015, YELLOW | 300.0 [11.8 in] |
| SW1-4 | WIRE, 24AWG AWM UL1015, YELLOW | 300.0 [11.8 in] |
| SW1- (+) | WIRE, 24AWG AWM UL1015, RED | 300.0 [11.8 in] |
| SW1- (-) | WIRE, 24AWG AWM UL1015, BLACK | 300.0 [11.8 in] |



RECOMMENDED PANEL CUTOUT
MAX. PANEL THICKNESS 10.0 [.39 in]



NOTES:

1. DIMENSIONS IN MM [INCH]
2. ALL MATERIAL SHALL BE ROHS COMPLIANT
3. TERMINAL NUMBERS FOR REF. ONLY
4. CONTACT MATERIAL: SILVER
5. RATING: 2A 48VDC
- ▲ 6. LAMP VOLTAGE: 2.8V
7. INGRESS PROTECTION: IP65
8. TRAVEL: 2.8mm
9. ACTUATION FORCE: 6.5N
10. OPERATING TEMP.: -20°C to 55°C
11. INSULATION RESISTANCE: 1,000 MΩ MIN.
12. CONTACT RESISTANCE: 50mΩ MAX. @ 1A 12VDC
13. DIELECTRIC STRENGTH: 2,000 VAC MIN. FOR 1 MINUTE
14. ELECTRIC LIFE: 50,000 CYCLES.
15. ▲ DENOTES CRITICAL PARAMETER.
- ▲ 16. SUPPLIED HARDWARE: O-RING AND HEXNUT
17. USE PART NUMBERS DESIGNATED OR ENGINEERING APPROVED EQUIVALENTS.



| | | | | |
|-------------------------|----------------|-------|------------------------|-------|
| TITLE PV8FWT011-301-M14 | | | | |
| SCALE 2:3 | DATE 7/31/2020 | DR MW | DWG 52-PV8FWT011301M14 | REV A |